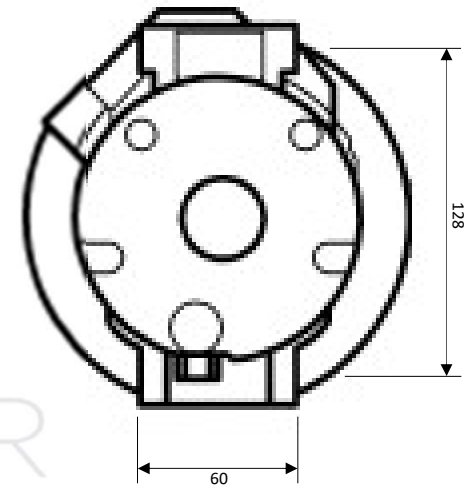
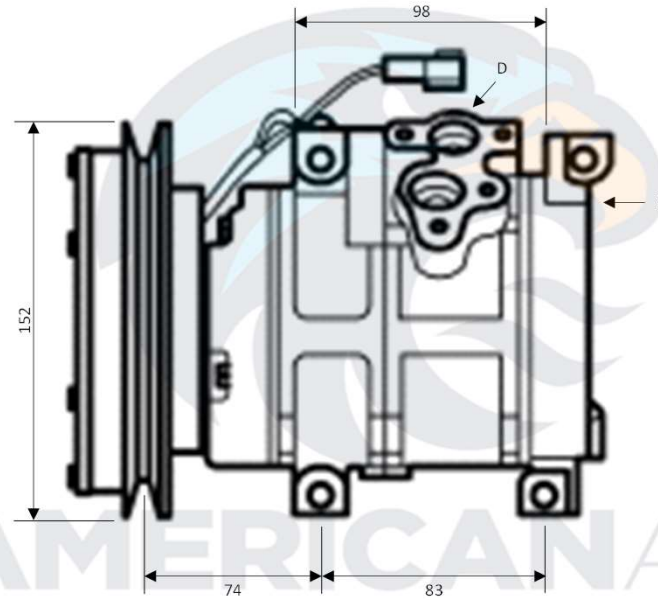
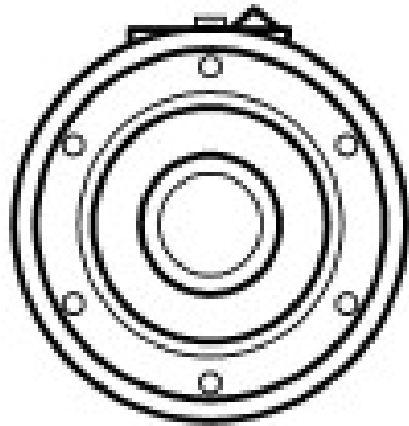


Código **CO-00230-AM**
10S15C 1B 24V 152MM
(AFTERMARKET)



AMERICAN AIR

